

Plunger Pumps

FEATURING

MANIFOLD: High strength 316L Stainless Steel to insure long term use.

BOLTS: 304L stainless steel.

PLUNGERS: A special ultra thick solid ceramic for long life, strong durability and more resilience.

CRANKCASE: Precision die-cast, large cooling fins and special anticorrosion finish. Both side and rear cover sight glass.

BEARINGS: Premium SKF tapered roller bearings that provide extra load support, smoother and lower crankcase running temperatures and over all extended pump life.

VALVES, SEATS, AND SPRINGS: Stainless steel with specially designed cages to provide seating and extended valve life.

SEALS AND V-PACKINGS: Viton are continuously lubricating for extended life. SPL plunger retainers.

OIL SEALS: Triple lipped and spring loaded for greater durability and extended life..

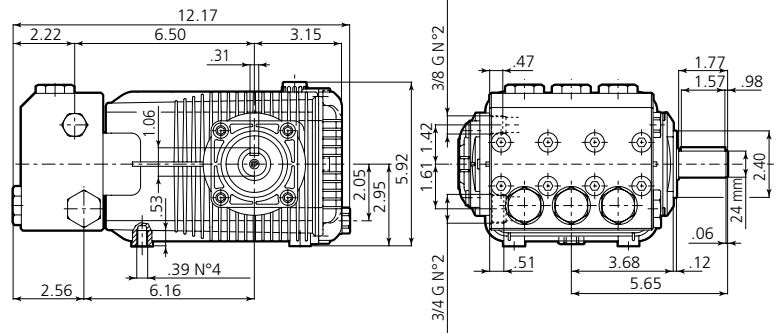
PLUNGER RODS: High strength stainless steel.

CONNECTING RODS: One piece special alloy bronze for higher pressures, oversized for maximum strength, load disbursement, and long life. Heavy pin area construction.

DIMENSIONS



XWL-SS N version Solid shaft pump ø 24 mm



SPECIFICATIONS

| MODEL | MAX GPM | MAX LMP | MAX PSI | MAX BAR | POWER EBHP | BORE DIA MM | STROKE MM | CRANKSHAFT ID STAMP | WEIGHT LBS. |
|--------------|---------|---------|---------|---------|------------|-------------|-----------|---------------------|-------------|
| XWL-SS42.15N | 11 | 42 | 2200 | 150 | 5.5 | 28 | 17.2 | 2 | 36 |

Oil Capacity = 32oz

Maximum Fluid Temperature = 140° F

Inlet Thread = 3/4" F

Discharge Thread = 3/8" F

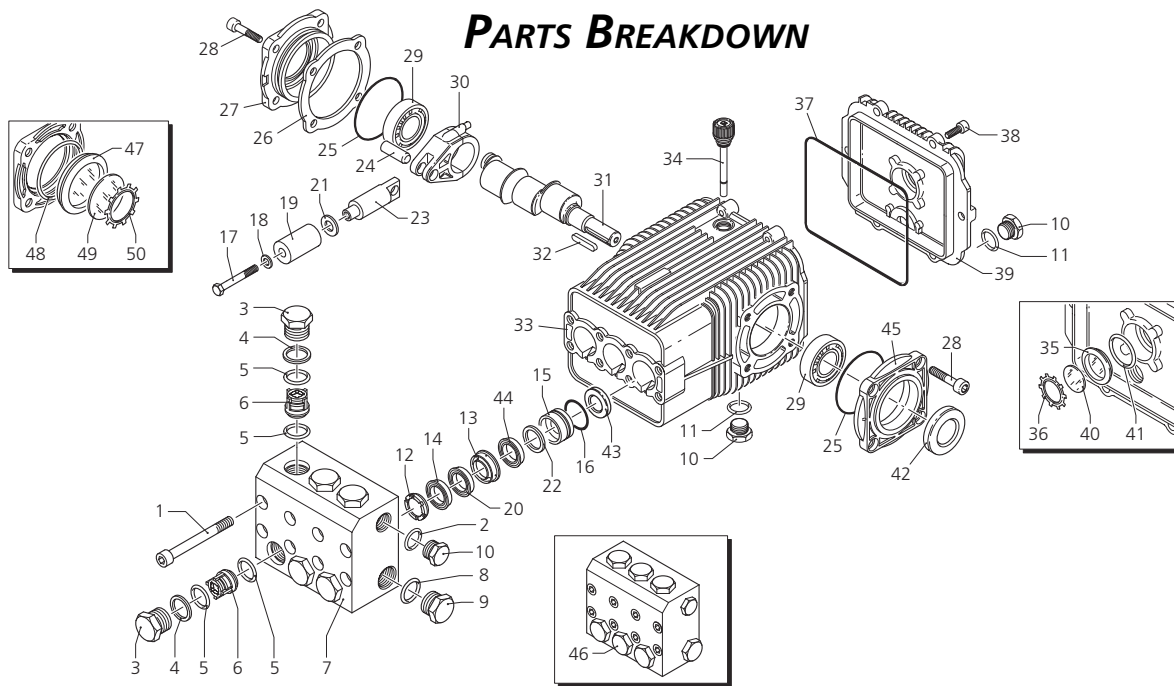
Torque Specifications Inch pounds (ft. lbs)

| HEAD | PISTON NUT | REAR COVER | SIDE COVER | VALVE CAP | CON RODS |
|----------|------------|------------|------------|-----------|----------|
| 442 (37) | 106 (8.8) | 92 (7.7) | 217 (18) | 602 (50) | 89 (7.5) |

SPECIAL NOTE: Use AR64516 Oil. First change oil after 50 hours of use. Then every 500 hours. This oil is specially formulated to provide correct lubrication properties for our pumps. **No** other oil is factory approved for these pumps. **ANNOVI REVERBERI** High Performance Pumps



PARTS BREAKDOWN



| Pos. | Code | Description | Qty. | Pos. | Code | Description | Qty. | Legend | | | |
|------|---------|---------------------|------|------|---------|----------------------|------|--------------------|-----------|-----------|-----------|
| 1 | 1941360 | Screw | 8 | 40 | 1780690 | Disc | 1 | Ø 28 For | | | |
| 2 | 740291 | O-Ring | 1 | 41 | 1140450 | O-Ring | 1 | | | | |
| 3 | 2520030 | Plug | 6 | 42 | 820680 | Seal | 1 | XWL-SS42.05 | | | |
| 4 | 1940150 | Ring | 6 | 43 | 1940560 | Seal | 3 | XWL-SS42.15 | | | |
| 5 | 1140451 | O-Ring | 12 | 44 | 2520361 | Gasket | 3 | | | | |
| 6 | 2529050 | Complete valve | 6 | 45 | 2520320 | Open bearing support | 1 | | | | |
| 7 | 2520150 | Pump head | 1 | 46 | 2529200 | Pump head assembly | 1 | | | | |
| 8 | 550351 | O-Ring | 1 | 47 | 1941270 | Oil indicator | 1 | | | | |
| 9 | 2520040 | Plug 3/4" G | 1 | 48 | 100410 | O-Ring | 1 | | | | |
| 10 | 2340350 | Plug 3/8" G | 3 | 49 | 1941260 | Disc | 1 | | | | |
| 11 | 740290 | O-Ring | 2 | 50 | 1941290 | Snap ring | 1 | | | | |
| 12 | 1941570 | Support ring | 3 | | | | | Repair Kits | | | |
| 13 | 2520200 | Front piston guide | 3 | | | | | Water Seal | Valve | Pistons | Oil Seals |
| 14 | 820631 | Gasket | 3 | | | | | Kit 2164 | Kit 2162 | Kit 2163 | Kit 2781 |
| 15 | 2520210 | Rear piston guide | 3 | | | | | Pos. Qty. | Pos. Qty. | Pos. Qty. | Pos. Qty. |
| 16 | 820491 | O-Ring | 3 | | | | | 12 3 | 5 6 | 19 3 | 25 2 |
| 17 | 2520260 | Screw | 3 | | | | | 14 3 | 6 6 | | 37 1 |
| 18 | 2520250 | Washer | 3 | | | | | 16 3 | | | 42 1 |
| 19 | 2520240 | Piston | 3 | | | | | 20 3 | | | 43 1 |
| 20 | 2520220 | Ring | 3 | | | | | 22 3 | | | |
| 21 | 2520270 | Spacer | 3 | | | | | 35 3 | | | |
| 22 | 2520230 | Ring | 3 | | | | | Piston Guide | | | |
| 23 | 2520280 | Guiding piston | 3 | | | | | Kit 2165 | | | |
| 24 | 1940060 | Piston pin | 3 | | | | | Pos. Qty. | | | |
| 25 | 1941380 | O-Ring | 2 | | | | | 13 3 | | | |
| 26 | 1941390 | 0,05 mm shim | 1-3 | | | | | 15 3 | | | |
| 27 | 1941400 | 0,10 mm shim | 1-3 | | | | | | | | |
| 28 | 1941410 | 0,19 mm shim | 1-3 | | | | | | | | |
| 29 | 1941420 | 0,25 mm shim | 1-3 | | | | | | | | |
| 30 | 2529011 | Complete side cover | 1 | | | | | | | | |
| 31 | 2340240 | Screw | 8 | | | | | | | | |
| 32 | 1140410 | Bearing | 2 | | | | | | | | |
| 33 | 1940050 | Con rod | 3 | | | | | | | | |
| 34 | 1940170 | Crankshaft | 1 | | | | | | | | |
| 35 | 650250 | Key | 1 | | | | | | | | |
| 36 | 3520330 | Pump housing | 1 | | | | | | | | |
| 37 | 1140370 | Oil cap | 1 | | | | | | | | |
| 38 | 1260250 | Oil indicator | 1 | | | | | | | | |
| 39 | 1260430 | Snap ring | 1 | | | | | | | | |
| 40 | 1940410 | O-Ring | 1 | | | | | | | | |
| 41 | 680560 | Screw | 6 | | | | | | | | |
| 42 | 2529010 | Complete cover | 1 | | | | | | | | |

26

